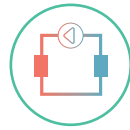


Smart R



COP 4.79 / -7°C



EC FAN

BENEFITS

Thermodynamic double flow

Free cooling or active cooling
if assembled with insulated ducts

Adjustment kit for the replaced
machine

Principle

Ventilate, heat, cool, bring the performance of your CMV up to date !

Application

(R) Replacement of old Double-flow ventilation systems

Set-up

- In an insulated plant room
- Condensation to be predicted
- Insulated air supply pipes (min. 25mm)
- Insulated extraction pipes (min. 25mm)
- Insulated pipes for release / fresh air 25mm or 50mm
- Electricity: power supply 230V - 50Hz (2.5mm²)
- Connection: 4 cables 0.5mm² max.

Description

- Automatic set-up
- Compact single block without external units
- White pre-lacquered aluminium finish 20/10
- Heat and sound insulation
- Heat pump on exhaust air, built-in
- Rotary compressor, French
- Low-consumption fans (EC ERF 2015)
- Adjustable ventilation output
- Device pre-loaded with R407C gas
- Maintenance at the front
- Adjustment kit

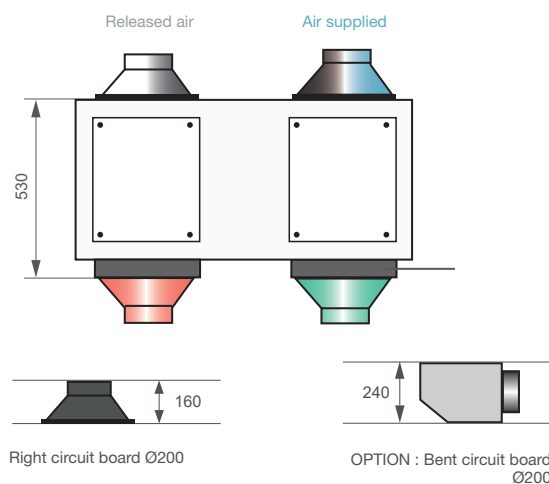
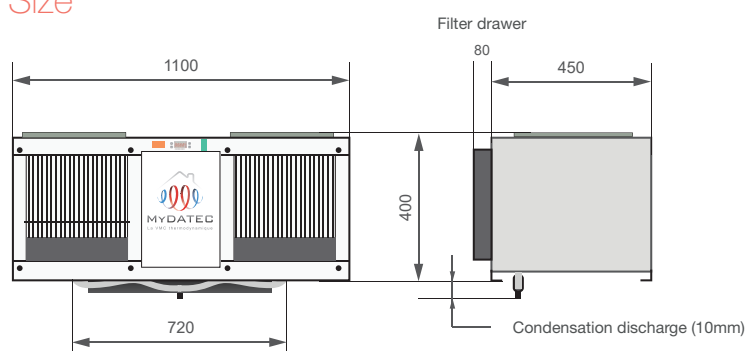
Main equipment replaced by MyDATEC

BRANDS	MODELS	IMAGES
Aeroplast	STH 250 STH 350 STH 500	
Nather	SF/DF 180 SF/DF 350	
De Dietrich	RAE 1500 RAE 2300	
Elge	MERV 180 MERV 250 MERV 330	
Jacray's	PRR 051 PRR 05A PRR 053	
Comela	EC 180 EC 325 EC 1250	
Aldes	Températion H	

Range

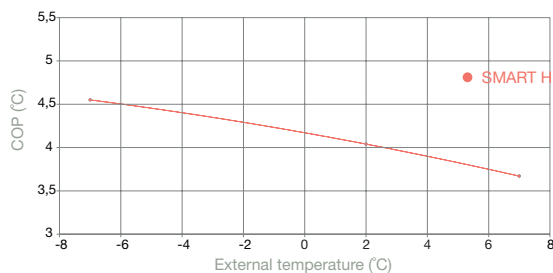
DESIGNATION	DESCRIPTION
MyDATEC Smart 200H unit KIT	VMC thermodynamic double flow Heating 3.9kW (of which 2kW for the upper heater) Cooling 1.78kW (free cooling or active) Wall stand Touch control - see page 16
MyDATEC Smart 300H unit KIT	VMC thermodynamic double flow Heating 5.1kW (of which 2kW for the upper heater) Cooling 2.67kW (free cooling or active) Wall stand Touch control - see page 16

Size

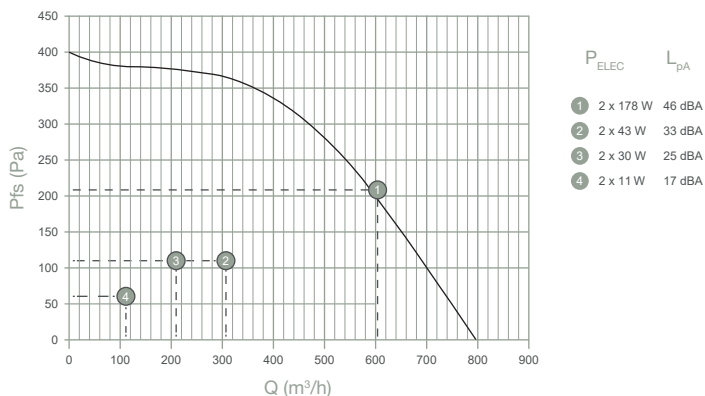


Technical features

Exchanger performance coefficient



SMART H fan



	Smart 200H	Smart 300H
COP (+7°C ext. / -7°C ext.) with 20°C inside	3.67 / 4.79	3.67 / 4.79
Heating power supplied at -7°C ext. / 20°C int.	1.9 kW	3.1 kW
Heating pump standard power absorption at +7°C ext. / 20°C int.	0.52 kW	0.87 kW
EER at 35°C ext. / 27°C int.	2.41	2.39
Heating pump cooling power supplied at 35°C ext. / 27°C int.	1.78 kW	2.67 kW
Nominal air flow to be considered for thermal calculations	200 m³/h	300 m³/h
Maximum air flow configurable (200 Pa)	600 m³/h	600 m³/h
Average intensity absorbed	2.3 A	3.8 A
Maximum power of additional heaters	2 kW	
Power supply	230 V - 50 Hz	
Recommended protection	10A curve D	
Filtering	G4 (see page 20)	
Refrigerant fluid	R 407 C	
Mass of refrigerant fluid	900 g	
Unit weight	60 kG	