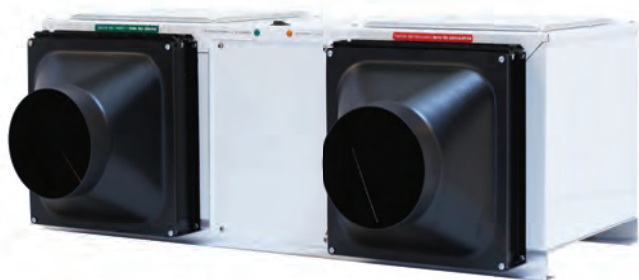
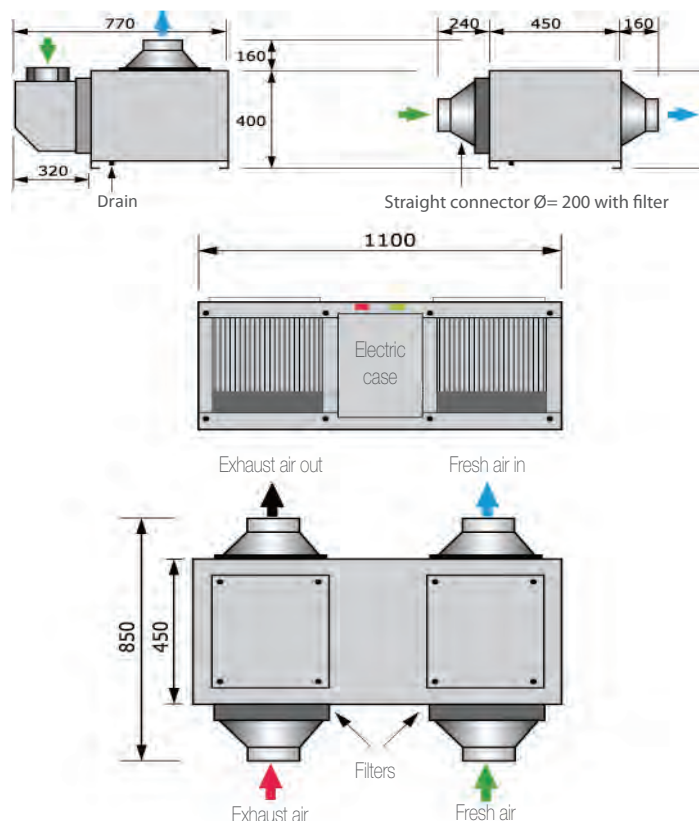


	RT 200H	RT 250H	RT 300H
COP - 7°C ext./ 20°C int.	4,79	5,38	5,24
COP + 7°C ext./ 20°C int.	3,67	3,89	3,83
EER 35°C ext./ 27°C int.	2,41	2,47	2,39
Heating power + 7°C ext./ 20°C int.	1,9 kW	2,53 kW	3,1 kW
Cooling power + 35°C ext./ 27°C int.	-1,78 kW	-2,19 kW	-2,67 kW
Maximum air flow	200 m <sup>3</sup> /h	250 m <sup>3</sup> /h	300 m <sup>3</sup> /h
Maximum air flow adjustable	600 m <sup>3</sup> /h	600 m <sup>3</sup> /h	600 m <sup>3</sup> /h
Available static pressure	120 Pa	120 Pa	120 Pa
Rated power consumption + 7°C ext./ 20°C int.	0,52 kW	0,65 kW	0,81 kW
Average current	2,3 A	2,8 A	3,5 A
Power supply	230 V - 50 Hz		
Recommended protection level	10 A (AM)		
Refrigerant	R 407 c		
Refrigerant mass	900 g		
Weight of the unit	60 Kg		



### Indoor air quality

- Filters the incoming fresh air.
- Manages and adjusts air exchange rates using the latest phase - commutation fan control technology (EC).
- Three speed fan system with numerous comfort settings and ventilation options.

### Lower energy consumption and better heat management throughout the year

- Improved performance from ground heat pumps.
- Reduced heat losses thanks to a supply of heating or cooling by a heat pump using the extracted air.
- One of the best outputs on the market: an average cop of 5° to -7° C which improves as the temperature falls.

### Easy installation and maintenance\*

- The system fits in a cupboard, utility room or attic.
- Installation work includes: fitting ventilation ductwork, making electrical connections, connecting pipework for condensates and unsealing doors where necessary.
- Maintenance required is the same as classic dual system: quarterly filter cleaning, which can be carried out by the user.

\* MyDatec offers a complete design service, including laying out the air ducting and control system, preparing a marked-up drawing of the system and providing a ready-to-install kit with all necessary parts.